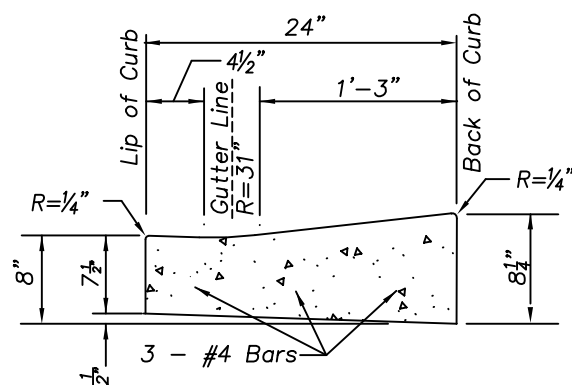
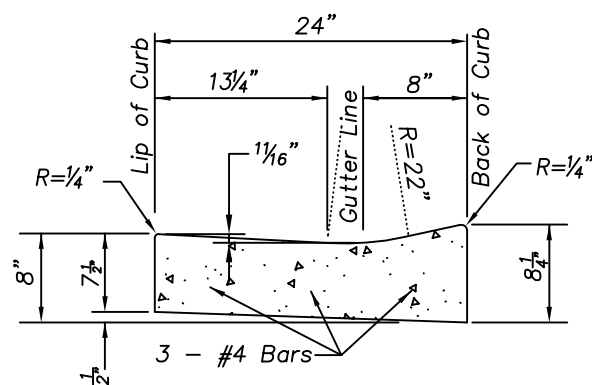


Paver Brick Installation Details
NOT TO SCALE



Use With Type A Curb

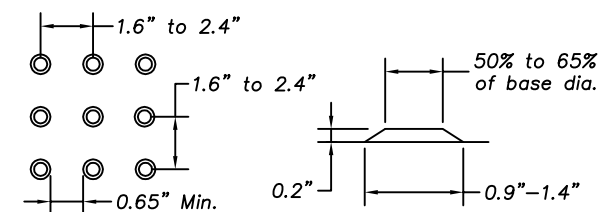


Use With Type B Curb

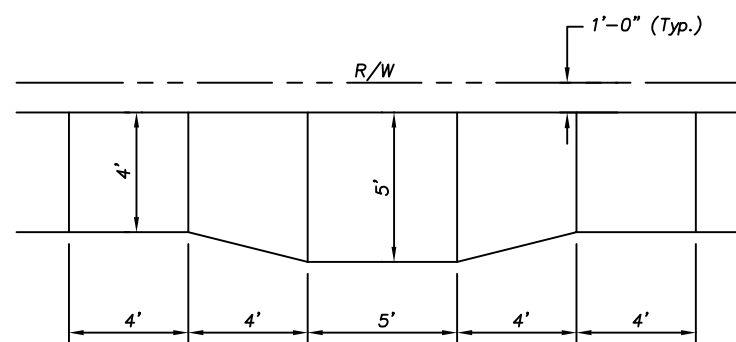
Street Curb Detail at Ramp
NOT TO SCALE

Paver Brick Notes:

1. Paver Bricks shall be $2 \frac{3}{8}'' \times 3 \frac{7}{8}'' \times 7 \frac{13}{16}''$ Pavestone Detectable Warning Pavers, River Red color, or approved equal. Pavers shall be concrete and shall have a compressive strength of 8000 psi (min.), water absorption of 5% (max.), and shall comply with ASTM C-936 and freeze-thaw testing per section 8 of ASTM C-67.
2. Bricks shall be saw cut only and shall not be less than 25% of a full brick. Cut bricks shall fit accurately, neatly, and without damaged edges.
3. Tamp paver bricks with plate compactor, as necessary, uniformly level and free of movement.
4. All concrete beneath detectable warning pavers shall be placed on undisturbed earth. Over-excavated areas shall be backfilled with concrete to minimize settlement.



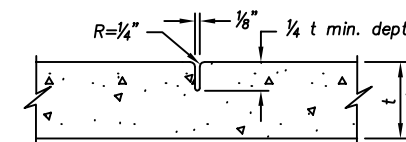
Truncated Dome Dimensions
NOT TO SCALE



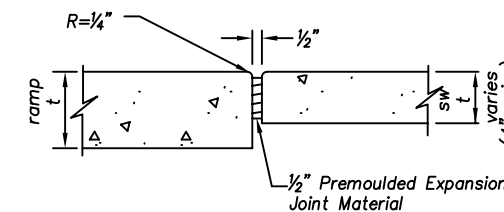
Wheelchair Passing Space

Wheelchair Passing Space shall be Constructed where Length of 4' Wide Sidewalk Exceeds 200'.

NOT TO SCALE



Contraction Joint
NOT TO SCALE



Isolation Joint
NOT TO SCALE

APPROVED: DWW	Shawnee K A N S A S PUBLIC WORKS — ENGINEERING
DETAILED: SEP	
CHECKED: BGS	
SIDEWALK RAMP DETAILS FOR RETROFIT CONSTRUCTION	
SHEET 2 OF 2	

05-11-04	ISSUED	DWW
08-15-05	REVISIONS	SEP